

Flow capacities are available up to 12.5 m³/hr (55 GPM) for single hose and up to 24.5 m³/hr (108 GPM) with our unique dual hose design

Thermo Scientific Ponndorf P/X & PX/2 Series Pumps



PX Series Single-Channel Pump
PX 15



PX/2 Series Dual-Channel Pump
PX 15/2

Product Benefits

- Metering, transfer, selfpriming, and low-pulsation models.
- Easy maintenance — disassembly not required.
- Rib-back hose for positive retention in pump and easy replacement without disassembly of the pump.
- Dry running design provides long tubing life and prevents system contamination should the hose ever rupture.
- Flow capacities are available up to 12.5 m³/hr (55 GPM) for single hose and up to 24.5 m³/hr (108 GPM) with our unique dual hose design.
- Hose rib is positively captured in the tube bed and prevents the hose from side-to-side movement, which shortens hose life in other pump designs.
- Pumps are shipped complete with motor and fixed-speed drive systems ready to install and start.
- Options include mechanical variable speed, variable-frequency, hazardous-area rated, washdown, chemical duty, air-operated, or bareshaft pumps only.



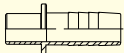
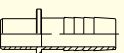
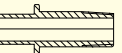
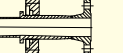
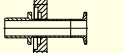
Specifications & Ordering Information

Catalog Number	PX 10	PX 10/2	PX 15	PX 15/2	PX 27	PX 27/2	PX 35	PX 35/2	PX 50	PX 50/2	
Normal capacity 165 rpm m ³ /hr (GPM)	0.15 (0.66)	0.25 (1.1)	0.5 (2.2)	0.95 (4.8)	2.2 (9.7)	5.0 (22)	6.0 (26)	11.5 (51)	12.5 (55)	24.5 (108)	
Normal capacity 100 rpm m ³ /hr (GPM)	0.08 (0.40)	0.16 (0.7)	0.3 (1.3)	0.58 (2.5)	1.3 (5.7)	3.0 (13)	3.5 (15)	7.0 (31)	7.6 (33)	15 (66)	
Hose ID, mm (in.)	10 (0.39)	10 (0.39)	15 (0.59)	15 (0.59)	27 (1.06)	27 (1.06)	35 (1.38)	35 (1.38)	50 (1.97)	50 (1.97)	
Connection OD, mm (in.)	14 (0.55)	14 (0.55)	25 (0.98)	25 (0.98)	33 (1.30)	33 (1.30)	51 (2.0)	51 (2.0)	75 (2.95)	75 (2.95)	
Max power, hp (kW)	1/2 (0.37)	1/2 (0.37)	1/2 (0.37)	3/4 (0.56)	1/2 (0.37)	11/2 (1.1)	2 (1.5)	5 (3.7)	3 (2.2)	5 (3.7)	
Dimensions (L x W x H), mm (in.)	600 x 300 x 225 (23.62 x 11.81 x 8.84)			600 x 300 x 314 (23.62 x 11.81 x 12.36)			600 x 300 x 434 (23.62 x 11.81 x 17.09)			860 x 400 x 577 (33.86 x 15.75 x 22.72)	
Est. weight with motor kg (lb)	33 (73)	37 (82)	38 (83)	48 (105)	48 (106)	68 (144)	91 (200)	136 (300)	113 (248)	167 (367)	
Construction materials											
Housing	Cast aluminum with epoxy coating										
Tube bed	PTFE										
Inlet/outlet fittings	Polypropylene or 316 SS										
Rollers	Carbon-filled PTFE										
Rotor	Cast aluminum										
Shaft	Stainless steel										
Bearings	Permanently sealed grease filled ball bearings										
Hose material options	Natural rubber, food-grade rubber, Neoprene										
Max rpm	165										
Max temperature (continuous)	60°C (140°F)										
Max temperature (intermittent)	80°C (176°F)										
Max pressure	2 bar (30 psig)										
Max suction height	7 m (23 ft)										
Max viscosity	35,000 cPs (160,000 SSU)										

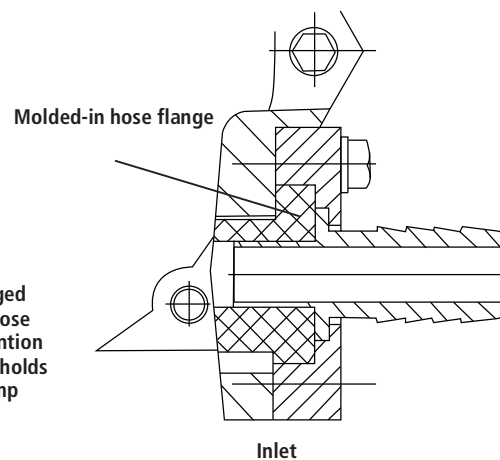
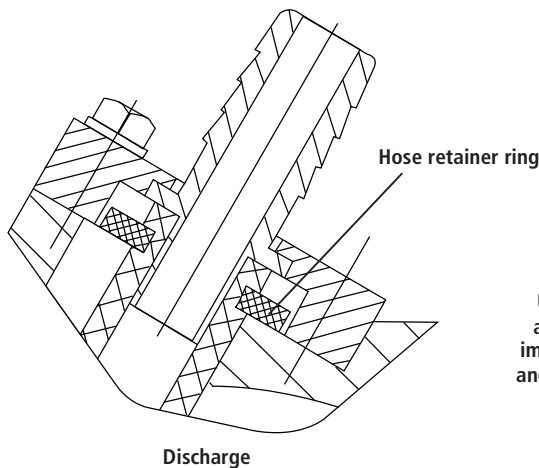
Optional inlet and outlet connections available include ANSI 150# flanges, sanitary Tri-Clamp® fittings, and NPT connections.

Note: Connectors and hose must be ordered separately.

Specifications & Ordering Information—Fittings

Pump Series										
	Polypropylene		Stainless Steel		Stainless Steel		Stainless Steel		Stainless Steel	
	Hose ID (mm)	Cat. no.	Hose ID (mm)	Cat. no.	NPT	Cat. no.	Flange size*	Cat. no.	Tri-Clamp size	Cat. no.
PX 10 or PX 10/2	14.0	VA-61014	14.0	VA-61015	1/4"	VA-61016	1/2"	VA-61522	1/2"	VA-61523
PX 15 or PX 15/2	25.2	VA-61114	25.2	VA-61115	3/4"	VA-61116	3/4"	VA-61117	3/4"	VA-61121
PX 27 or PX 27/2	33.0	VA-61214	33.0	VA-61215	1"	VA-61216	1"	VA-61217	1"	VA-61221
PX 35 or PX 35/2	51.0	VA-61314	51.0	VA-61315	1 1/2"	VA-61316	1 1/2"	VA-61317	1 1/2"	VA-61321
PX 50 or PX 50/2	75.5	VA-61414	75.5	VA-61415	2"	VA-61416	2"	VA-61417	2"	VA-61421

*ANSI 150# flange



Unique flanged and ribbed hose improves retention and positively holds hose in pump

