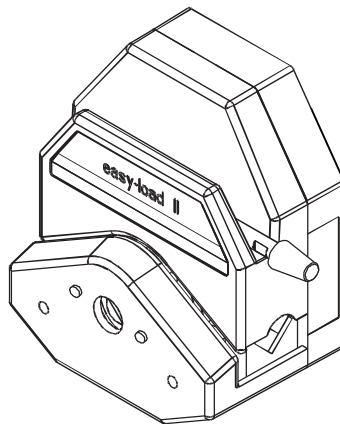


CALL 1-800-577-8111 FOR SALES AND SUPPORT
CLICK HERE TO RETURN TO WEBSITE
OPERATING MANUAL

MASTERFLEX[®] ***P/S***

EASY-LOAD[®] II
PUMP HEADS



A-1299-7000
Edition 09

CALL 1-800-577-8111 FOR SALES AND SUPPORT
CLICK HERE TO RETURN TO WEBSITE

CALL 1-800-577-8111 FOR SALES AND SUPPORT
CLICK HERE TO RETURN TO WEBSITE
SAFETY PRECAUTIONS



WARNING: PRODUCT USE LIMITATION

This product is not designed for, nor intended for use in, patient-connected applications, including, but not limited to, medical and dental use, and, accordingly, has not been submitted for FDA approval.

NOTE: Use only MASTERFLEX precision tubing with MASTERFLEX pumps to ensure optimum performance. Use of other tubing may void applicable warranties.

CAUTION: Tubes must not cross inside Pump Head.



WARNINGS: Turn off drive before removing or installing tubing.
Fingers or loose clothing could be caught in the rollers.



Stop the drive when changing the tubing or its position in the rotor mechanism (the rotor is partially exposed when the **LOADING LEVER** is in the open position).

EXPLANATION OF SYMBOLS



CAUTION: Risk of danger. Consult the Operator's Manual for nature of hazard and corrective actions.



CAUTION: Risk of crushing. Keep fingers away from rotor while pump is in operation. Stop pump before loading or unloading tubing.

PUMP FOR LIQUIDS
ORIGINAL INSTRUCTIONS

MASTERFLEX, EASY-LOAD — Reg TM Cole-Parmer
C-FLEX, NORPRENE, PHARMED, TYGON — Reg TM Saint-Gobain Performance Plastics Corp.
Trademarks bearing the ® symbol in this publication
are registered in the U.S. and in other countries.

CALL 1-800-577-8111 FOR SALES AND SUPPORT
CLICK HERE TO RETURN TO WEBSITE

CALL 1-800-577-8111 FOR SALES AND SUPPORT
CLICK HERE TO RETURN TO WEBSITE
SPECIFICATIONS

Pump Head Number	Pump Material	Occlusion	Shaft Length	Tubing
955-0000	PPS/SS	Fixed	Short	13, 14, 16, 25, 17, 18
955-0005	PPS/SS	Fixed	Long	13, 14, 16, 25, 17, 18
955-0025	PPS/CRS	Fixed	Short	13, 14, 16, 25, 17, 18
956-0000	PPS/SS	Fixed	Short	15, 24, 35, 36
956-0005	PPS/SS	Fixed	Long	15, 24, 35, 36
956-0025	PPS/CRS	Fixed	Short	15, 24, 35, 36
957-0000	PPS/SS	Adjustable	Short	13, 14, 16, 25, 17, 18
958-0000	PPS/SS	Adjustable	Short	15, 24, 35, 36
959-0000	PPS/SS	Fixed	Short	13, 14, 16, 25
959-0025	PPS/CRS	Fixed	Short	13, 14, 16, 25

Typical Flow, Pressure and Vacuum Data:

Tubing	Flow rate		Discharge Pressure*		Vacuum* @ 600 rpm in (mm) Hg	Suction Lift* @ 600 rpm ft (m) H ₂ O
	@ 1 rpm mL/min	@ 600 rpm mL/min	Continuous psig (bar)	Intermittent psig (bar)		
13	0.06	36	25 (1.7)	40 (2.7)	26 (660)	29 (8.8)
14	0.22	130	25 (1.7)	40 (2.7)	26 (660)	29 (8.8)
16	0.80	480	25 (1.7)	40 (2.7)	26 (660)	29 (8.8)
25	1.7	1000	20 (1.4)	35 (2.4)	26 (660)	29 (8.8)
17	2.8	1700	15 (1.0)	20 (1.4)	20 (510)	22 (6.7)
18	3.8	2300	10 (0.7)	15 (1.0)	20 (510)	22 (6.7)
15	1.7	1000	25 (1.7)	40 (2.7)	26 (660)	29 (8.8)
24	2.8	1700	25 (1.7)	40 (2.7)	26 (660)	29 (8.8)
35	3.8	2300	20 (1.4)	35 (2.4)	26 (660)	29 (8.8)
36	4.8	2900	15 (1.0)	20 (1.4)	24 (610)	27 (8.3)

Number of rollers:	4
Maximum pump speed (rpm):	600
Nominal torque load—Running:	up to 90 oz-in (6.5 kg•cm)
Housing materials:	Polyphenylene sulfide (PPS) acetal, nylon
Roller materials:	Cold Rolled Steel (CRS)/Stainless Steel (SS)
Bearing materials:	Cold Rolled Steel (CRS)/Sealed Stainless Steel
Rotor materials:	Cold Rolled Steel (CRS)/Stainless Steel (SS)
Operating Temperature‡:	32°F to 104°F (0°C to 40°C)
Storage Temperature:	-49°F to 149°F (-45°C to 65°C)
Humidity:	0% to 90% (non-condensing)
Dimensions (W × H × D):	
Operating:	4 in × 4-3/4 in × 2-3/4 in (102 mm × 121 mm × 70 mm)
Open:	4 in × 5-1/2 in × 2-3/4 in (102 mm × 140 mm × 70 mm)
Weight:	1.4 lb (0.6 kg)

* As tested with NORPRENE®, PHARMED® BPT, and TYGON® tubing.
Values will be less with silicone and C-FLEX®.

‡ Use in this temperature range for continuous duty operation with no decrease in performance or product life.
Pump Heads will work outside this range with some possible reductions in performance or product life.

CALL 1-800-577-8111 FOR SALES AND SUPPORT
CLICK HERE TO RETURN TO WEBSITE

CALL 1-800-577-8111 FOR SALES AND SUPPORT

CLICK HERE TO RETURN TO WEBSITE

INTRODUCTION AND GENERAL DESCRIPTION

This P/S EASY-LOAD II Pump Head, when combined with a MASTERFLEX® P/S drive or compatible system, is designed to provide a simple, easy-to-use peristaltic pump system. The Pump Head accepts several different tubing sizes for a wide range of flow rates. The unique over-center cam design and automatic tubing retention allow quick tubing changes and greatly reduced maintenance time.

Each pump is supplied complete with one mounting hardware package and this manual. A flat-bladed screwdriver or Phillips is required to complete installation.

DRIVE COMPATIBILITY AND SETUP

The P/S EASY-LOAD II Pump Head is compatible with most MASTERFLEX P/S drives with a standard tang interface. Mount the Pump Head using the 2 screws provided. **(See Figure #1.)**

TUBE LOADING

1. Be sure the pump drive is turned off.
2. Rotate the lever to the left to open the pump.
3. Load the correct size tubing. Center the tubing between the retainers. **(Figure #2.)**
4. Rotate the lever to the right to close. **(Figure #3.)**



WARNING: Stop the drive when changing the tubing or its position in the rotor mechanism (the rotor is partially exposed when the LOADING LEVER is in the open position).

NOTE: For optimum tubing life, keep tubing straight where it enters and exits the pump.

Figure #1. Setup

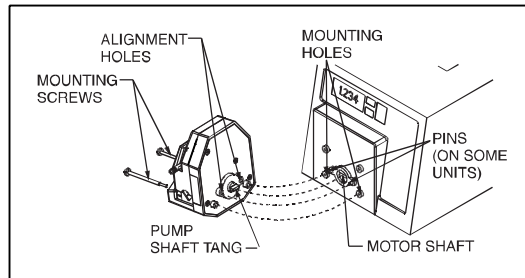


Figure #2. Open and Load

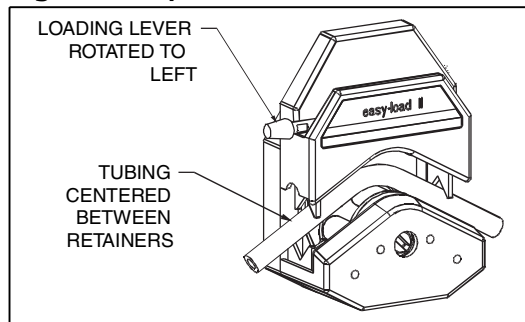
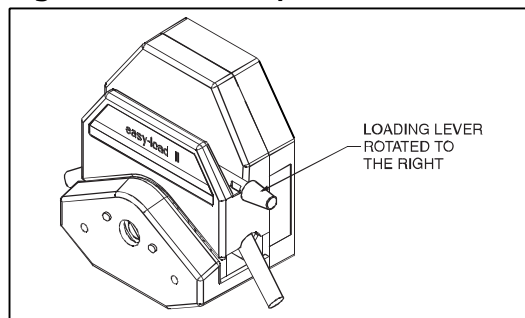


Figure #3. Close Pump



CALL 1-800-577-8111 FOR SALES AND SUPPORT

CLICK HERE TO RETURN TO WEBSITE

CALL 1-800-577-8111 FOR SALES AND SUPPORT

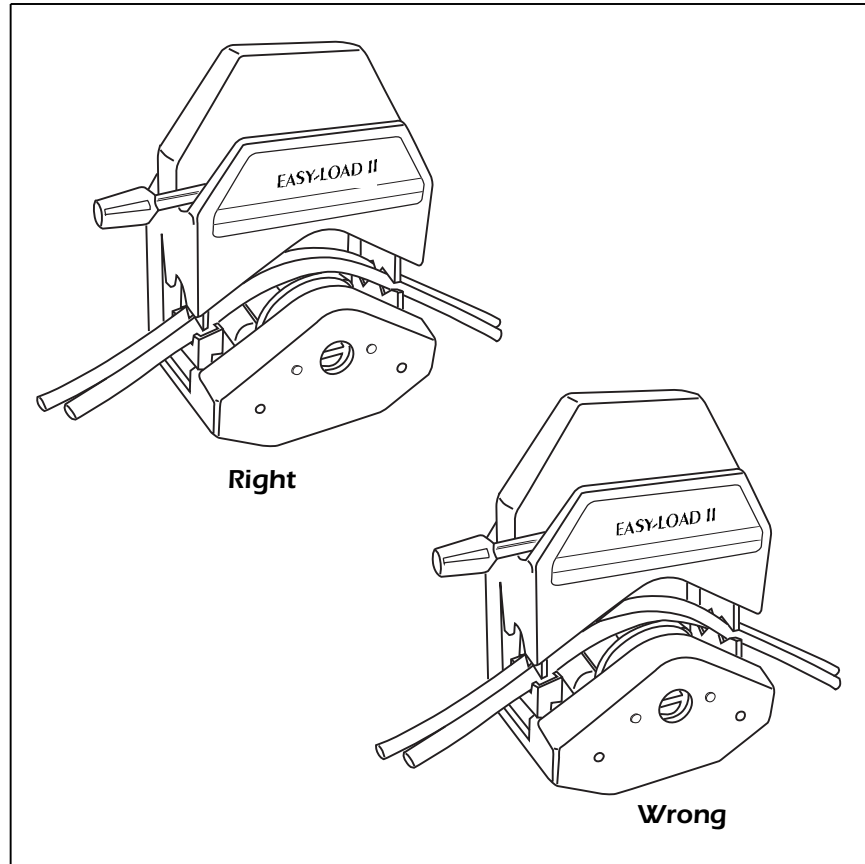
CLICK HERE TO RETURN TO WEBSITE

**2 CHANNEL P/S EASY-LOAD® II
TUBE LOADING MODELS 959-0000**

Use two tubes—sizes 13, 14, 16 or 25.

For proper tube retention, both tubes must be the same size and material.

Figure #4. 2 Channel Tube Loading



CAUTION: Tubes must not cross inside Pump Head.



CALL 1-800-577-8111 FOR SALES AND SUPPORT

CLICK HERE TO RETURN TO WEBSITE

CALL 1-800-577-8111 FOR SALES AND SUPPORT
CLICK HERE TO RETURN TO WEBSITE

OCCLUSSION ADJUSTMENT

(on 957-0000, 958-0000 models only)

Adjust occlusion setting near top of Pump Head. **(Figure #5.)**

"4" for nominal performance;

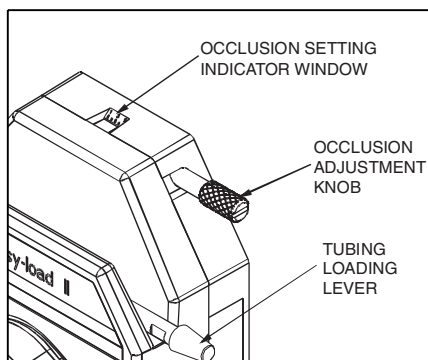
"5" for increased pressure/vacuum with reduced tubing life;

"2" or **"3"** for longer life with less pressure and vacuum.

NOTE: For optimum performance, turn knob to **"1"** after loading. Start drive and adjust knob until pump primes and fluid begins to flow.

NOTE: Occlusion usually does not need to be readjusted when changing tubing.

Figure #5. Adjust Occlusion



MULTI-CHANNEL MOUNTING

P/S EASY-LOAD II Pump Heads can be mounted in tandem (up to four), depending on the torque capabilities of the drive. **(See Figure #6.)**

Special mounting hardware is required.

See REPLACEMENT PARTS AND ACCESSORIES for mounting hardware.

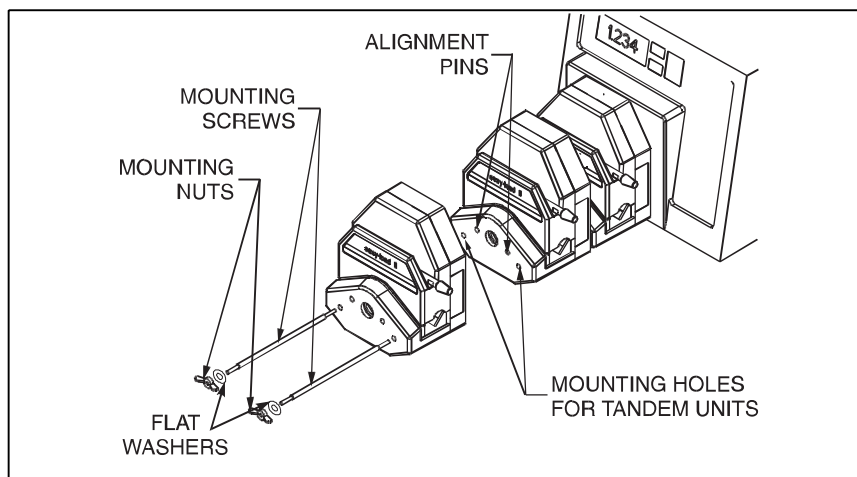


Figure #6. Multi-channel Mounting

CAUTION: DO NOT OVER-TIGHTEN SCREWS OR WING NUTS.



NOTE: The P/S EASY-LOAD II Pump Head can be used in any combination with other P/S EASY-LOAD Pump Heads. The longer P/S EASY-LOAD II mounting hardware is required (not supplied).

NOTE: The tubing on the inside P/S EASY-LOAD II Pump Head(s) can be changed without removing the outside Pump Head(s) from the drive.

CALL 1-800-577-8111 FOR SALES AND SUPPORT
CLICK HERE TO RETURN TO WEBSITE

CALL 1-800-577-8111 FOR SALES AND SUPPORT

CLICK HERE TO RETURN TO WEBSITE

MAINTENANCE AND CLEANING

No lubrication is required for the P/S EASY-LOAD II Pump Head.

Use a mild detergent solution to clean the Pump Head.

Do not immerse nor use excessive fluid.

To disassemble Pump Head for cleaning — See REPLACING ROTOR instructions.

Repair is limited to the replacement of the rotor assembly. Contact dealer for further repair information.

See REPLACEMENT PARTS AND ACCESSORIES for parts ordering information.

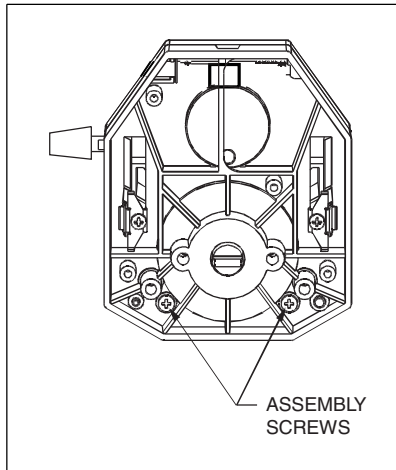
REPLACING ROTOR

1. Remove Pump Head from drive.
2. Remove rear cover of Pump Head.
3. Remove the two screws shown in

Figure #7.

4. Remove rotor assembly.
5. Install new rotor assembly and secure with two screws.
6. Reinstall rear cover.

Figure #7. Replacing Rotor



REPLACEMENT PARTS AND ACCESSORIES

Rotor assembly

Pump Head Number	Order No.
955-0000, 957-0000, 959-0000	77200-68
955-0005	77200-88
955-0025, 959-0025	77200-58
956-0000, 958-0000	77200-69
956-0005	77200-89
956-0025	77200-59

Mounting hardware for P/S Easy-Load II Pump Heads

Set contains #8-32 screws, washers and wing nuts (in two-, three-, and four-head hardware).

Number of heads to be mounted	Stainless steel order number
1	955-0091
2	955-0092
3	955-0093
4	955-0094

CALL 1-800-577-8111 FOR SALES AND SUPPORT

CLICK HERE TO RETURN TO WEBSITE

CALL 1-800-577-8111 FOR SALES AND SUPPORT

CLICK HERE TO RETURN TO WEBSITE

WARRANTY

This product is warranted against defects in material or workmanship, and at the option of the manufacturer or distributor, any defective product will be repaired or replaced at no charge, or the purchase price will be refunded to the purchaser, provided that: (a) the warranty claim is made in writing within the period of time specified on this warranty card, (b) proof of purchase by bill of sale or receipted invoice is submitted concurrently with the claim and shows that the product is within the applicable warranty period, and (c) the purchaser complies with procedures for returns set forth in the general terms and conditions contained in the manufacturer's or distributor's most recent catalog.

This warranty shall not apply to: (a) defects or damage resulting from: (i) misuse of the product, (ii) use of the product in other than its normal and customary manner, (iii) accident or neglect, (iv) improper testing, operation, maintenance, service, repair, installation, or storage, (v) unauthorized alteration or modification, or (b) post-expiration dated materials.

THIS WARRANTY IS THE EXCLUSIVE REMEDY OF THE PURCHASER, AND THE MANUFACTURER AND DISTRIBUTOR DISCLAIM ALL OTHER WARRANTIES, WHETHER EXPRESS, IMPLIED, OR STATUTORY, INCLUDING WITHOUT LIMITATION, WARRANTIES OF MERCHANTABILITY AND FITNESS FOR A PARTICULAR PURPOSE. NO EMPLOYEE, AGENT, OR REPRESENTATIVE OF THE MANUFACTURER OR DISTRIBUTOR IS AUTHORIZED TO BIND THE MANUFACTURER OR DISTRIBUTOR TO ANY OTHER WARRANTY. IN NO EVENT SHALL THE MANUFACTURER OR DISTRIBUTOR BE LIABLE FOR INCIDENTAL, INDIRECT, SPECIAL OR CONSEQUENTIAL DAMAGES.

The warranty period for this product is two (2) years from date of purchase.

PRODUCT RETURN

To limit charges and delays, contact the seller or Manufacturer for authorization and shipping instructions before returning the product, either within or outside of the warranty period. When returning the product, please state the reason for the return. For your protection, pack the product carefully and insure it against possible damage or loss. Any damages resulting from improper packaging are your responsibility.

TECHNICAL ASSISTANCE

If you have any questions about the use of this product, contact the Manufacturer or authorized seller.

CALL 1-800-577-8111 FOR SALES AND SUPPORT

CLICK HERE TO RETURN TO WEBSITE

Printed in U.S.A.